

WOODWIND INSTRUMENTS
Parts Reference Guide

- ***C Flute***
JFL-507
JFL-511, RO, RBO
JFL-513, JFL-515
JFL-611, RO, RBO
JFL-711, RO, RBO

• C Flute
JFL-507

Dia. Ref.	Part No	Description
3	51-N003	Lip plate
4	51-N001	Flute head stopper screw
5	51-C101	Flute head stopper cork
6	51-N601	Flute head stopper nut
7	51-N402	Flute head crown
7	51-N401	Flute head crown (prior to ser. #L00001)
3-8	SFLH-511S	Straight headjoint ass'y
9	51-D004	Barrel joint
10	51-D0066	Body ass'y w/out key (**)
10	51-D0011	Body ass'y w/out key (**) (prior to ser. #L00001)
11	51-D409	Body joint ring
12	51-W0002	Key post ass'y
13	51-W0007	Key post ass'y
14	51-W0022	Key post ass'y
15	51-W0001	Key post ass'y
16	51-K0137	D# trill key
16	51-K0001	D# trill key (prior to ser. #L00001)
17	51-K0138	D trill key
17	51-K0025	D trill key (prior to ser. #L00001)
18	51-K0152	D# trill key lever
18	51-K0009	D# trill key lever (prior to ser. #L00001)
19	51-K0139	C key
19	51-K0041	C key (prior to ser. #L00001)
20	51-K0057	Bb thumb lever
21	51-K0049	B key
22	51-K0189	Bb key (**)
22	51-K0002	Bb key (**) (prior to ser. #L00001)
23	51-K0172	A key (**)
23	51-K0034	A key (**) (prior to ser. #L00001)
25	51-K0174	G key (**)
25	51-K0003	G key (**) (prior to ser. #L00001)
26	51-K0144	G# key
26	51-K0051	G# key (prior to ser. #L00001)
27	51-K0050	Bb lever
28	51-K0012	F# key
29	51-K0179	F key
29	51-K0036	F key (prior to ser. #L00001)
30	51-K0181	E key
30	51-K0068	E key (prior to ser. #L00001)
31	51-K0069,51-K0006	Joint key
32	51-K0184	D key
32	51-K0045	D key (prior to ser. #L00001)
33	51-D0070	C footjoint ass'y w/out key (**)
33	51-D0025	C footjoint ass'y w/out key (prior to ser. #L00001)
34	51-W0003	Key post ass'y (**)
35	51-K0149	D# key
35	51-K0014	D# key (prior to ser. #L00001)
36	51-C215	Low C key roller screw
37	51-A102	Low C key roller
38	51-K0150	Low C# key
38	51-K0030	Low C# key (prior to ser. #L00001)
39	51-K0186	Low C key
39	51-K0062	Low C key (prior to ser. #L00001)
41	51-P001	Pad set
42	51-A301	Pad metal washer
43	51-C202	Pad screw
16-17*	51-C109	Trill key bumper
16-31*	51-A5002	Knock pin
16-31*	51-A502	Knock pin s(prior to ser. #H00001)
16-32*	51-C014	Shaft set (3 pcs. per set)
16-32*	51-C205	Pivot screw
16-39*	51-S001	Needle spring set (13 pcs. per set)
19-39*	51-C008	Rod screw set (5 pcs. per set)
20-21*	51-S101	Flat spring
20-21*	51-C204	Flat spring screw
22-31*	51-C201	Adjusting screw
35*	51-C111	D# key bumper

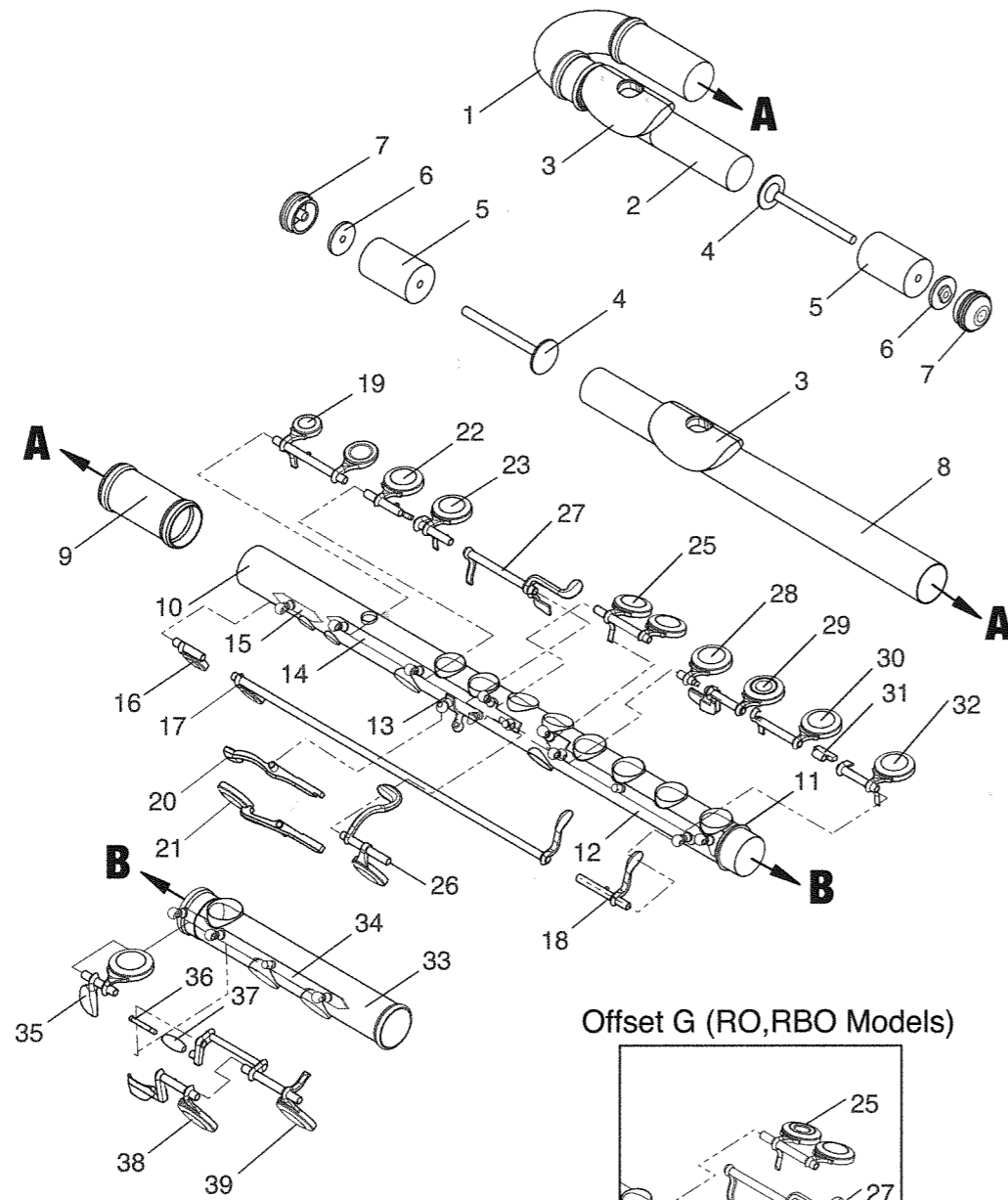
• C Flute (1)
JFL-511RO, RBO, JFL-611RO, RBO, JFL-711RO, RBO

Dia. Ref.	Part No	Description	Dia. Ref.	Part No	Description
1	51-U001	Bow headjoint ass'y for 513RO,515RO curved headjoint	29	51-K0162	F key
2	51-N015	Straight headjoint ass'y for 513RO, 515RO curved headjoint	29	51-K0028	F key (prior to ser. # L00001)
1-7	SFLH-513S	Curved headjoint ass'y for 513RO	29	51-K037	F key (prior to ser. #200001 & having mod. # beginning with SFL-)
3	51-N003	Lip plate for 511RO,513RO,515O	30	51-K0163	E key
3	51-N004	Lip plate for 611RO,711RO	30	51-K0060	E key S (prior to ser. # L00001)
4	51-N001	Flute head stopper screw	30	51-K038	E key (prior to ser. #200001 & having mod. # beginning with SFL-)
5	51-C101	Flute head stopper cork	31	51-K0134	Joint key
6	51-N601	Flute head stopper nut	31	51-K0061	Joint key (prior to ser. #K00001 & having mod. # beginning with SFL-)
7	51-N402	Flute head crown	32	51-K0164	D key
7	51-N401	Flute head crown (prior to ser. # L00001)	32	51-K0037	D key (prior to ser. # L00001)
3-8	SFLH-511S	Straight headjoint ass'y for 511RO	32	51-K040	D key (prior to ser. #200001 & having mod. # beginning with SFL-)
3-8	SFLH-511HS	Straight headjoint ass'y for 511SC	33	51-D0037	C footjoint ass'y w/out key for 511RO, 513RO, 515RO, 611RO (**)
3-8	SFLH-511YS	Straight headjoint ass'y for 511SC-P	33	51-D0003	C footjoint ass'y w/out key for 511RO, 513RO, 515RO, 611RO(**) (prior to ser. #L00001)
3-8	SFLH-611S	Straight headjoint ass'y for 611RO, 711RO	33	51-D021	C footjoint ass'y w/out key for 511RO, 513RO, 515RO, 611RO (prior to ser. #200001 & having mod. # beginning w/SFL-)
9	51-D004	Barrel joint for 511RO,513SO,515RO, 611RO	33	51-D0038	Low B footjoint ass'y w/out key for 511RBO, 611RBO
9	51-D0005	Barrel joint for 711RO	33	51-D0006	Low B footjoint ass'y w/out key for 511RBO, 611RBO (prior to ser. # L00001)
10	51-D0033	Body ass'y w/out keys for 511RO, 513RO,515RO,611RO	33	51-D0039	C footjoint ass'y w/out key for 711RO
10	51-D0007	Body ass'y w/out keys for 511RO, 513RO,515RO,611RO (prior to ser. #L00001)	33	51-D0009	C footjoint ass'y w/out key for 711RO (prior to ser. # L00001)
10	51-D0036	Body ass'y w/out key for 711RO	33	51-D002	C footjoint ass'y w/out key for 711RO (prior to ser. #200001 & having mod. # beginning with SFL-)
10	51-D0016	Body ass'y w/out key for 711RO (prior to ser. # L00001)	33	51-D0040	Low B footjoint ass'y w/out key for 711RBO
11	51-D403	Body joint ring for 711RO	33	51-D0012	Low B footjoint ass'y w/out key for 711RBO (prior to ser. # L00001)
11	51-D409	Body joint ring for 511RO,513RO, 515RO,611RO	34	51-W0006	Key post ass'y (for RO)
12	51-W0017	Lower key post ass'y	34	51-W0012	Key post ass'y (for RBO)
13	51-W0013	Upper key post ass'y	35	51-K0149	D# key (for RO)
14	51-W0022	Key post ass'y	35	51-K0014	D# key (for RO) (prior to ser. # L00001)
15	51-W0001	Key post ass'y	35	51-K020	D# key (prior to ser. #200001 & having mod.# beginning with SFL-)
16	51-K0137	D# trill key	35	51-K0165	D# key (for RBO)
16	51-K0001	D# trill key (prior to ser. # L00001)	35	51-K0022	D# key (for RBO) (prior to ser. # L00001)
16	51-K001	D# trill key (peior to ser. #200001 & having mod.# beginning with SFL-)	36	51-C215	Low C key roller screw (for RO)
17	51-K0154	D trill key	36	51-C216	Low B key roller screw (for RBO)
17	51-K0033	D trill key (prior to ser. # L00001)	37	51-A102	Low C key roller
17	51-K042	D trill key (prior to ser. #200001 & having mod.# beginning with SFL-)	38	51-K0150	Low C# key (for RO)
18	51-K0153	D# trill key lever	38	51-K0030	Low C# key (for RO) (prior to ser. # L00001)
18	51-K0017	D# trill key lever (prior to ser. # L00001)	38	51-K022	Low C# key (prior to ser. #200001 & having mod.# beginning with SFL-)
18	51-K041	D# trill key lever (prior to ser. #200001 & having mod.# beginning with SFL-)	38	51-K0166	Low C# key (for RBO)
19	51-K0139	C key	38	51-K0038	Low C# key (**) (for RBO) (prior to ser. #L00001)
19	51-K0041	C key (prior to ser. # L00001)	39	51-K0046	Low C key (for RO)
19	51-K004	C key (prior to ser. #200001 & having mod. # beginning with SFL-)	39	51-K024	Low C key (prior to ser. #200001 & having mod.# beginning with SFL-)
20	51-K0057	Bb thumb lever	39	51-K0167	Low C key (for RBO)
20	51-K006	Bb thumb lever (prior to ser. #200001 & having mod. # beginning with SFL-)	39	51-K0054	Low C key (for RBO) (prior to ser. #L00001)
21	51-K0049	B key	40	51-K0168	Low B Gizmo key (improved design fits all #s)
21	51-K005	B key (prior to ser. #200001 & having mod. # beginning with SFL-)	40	51-K0070	Low B Gizmo key (improved design fits all #s) (prior to ser. # L00001)
22	51-K0140	Bb key	41	51-P002	Pad set (fo RO)
22	51-K0065	Bb key (prior to ser. # L00001)	41	51-P002A	Pad set (prior to ser. #200001 & having mod.# beginning with SFL-)
22	51-K043	Bb key (prior to ser. #200001 & having mod. # beginning with SFL-)	41	51-P005	Pad set (for RBO)
23	51-K0159	A key	21-39*	5-P004	Pad plastic washer set (prior to ser. #200001 & having mod.# beginning with SFL-)
23	51-K0026	A key (prior to ser. # L00001)	42	51-A301	Pad metal washer for closed hole
23	51-K033	A key (prior to ser. #200001 & having mod.# beginning with SFL-)	43	51-C202	Pad screw for colsed hole
25	51-K0175	G key			
25	51-K0043	G key (prior to ser. # L00001)			
26	51-K0144	G# key			
26	51-K0051	G# key (prior to ser. # L00001)			
26	51-K036	G# key (prior to ser. #200001 & having mod. # beginning with SFL-)			
27	51-K0050	Bb lever			
28	51-K0067	F# key			
28	51-K014	F# key (prior to ser. #200001 & having mod. # beginning with SFL-)			

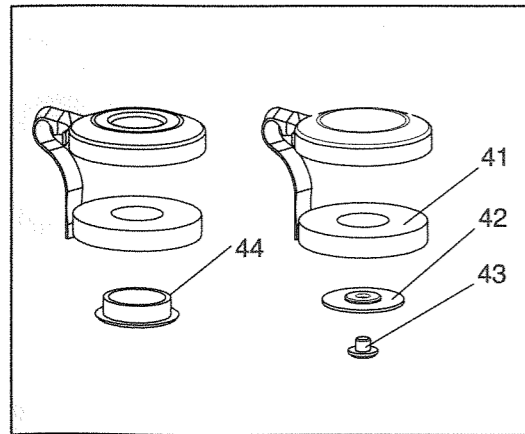
C

• C Flute

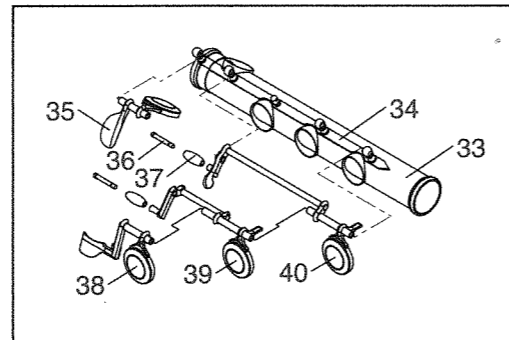
JFL-507, JFL-511, RO, RBO, JFL-513, JFL-515, JFL-611, RO, RBO, JFL-711, RO, RBO



Close & Open Hole Pads



B Footjoint



• C Flute

JFL-511, JFL-513, JFL-515, JFL-611, JFL-711

Dia. Ref.	Part No	Description	Dia. Ref.	Part No	Description
1	51-U001	Bow headjoint ass'y for 513,515 curved headjoint	27	51-K0050	Bb lever
2	51-N015	Straight headjoint ass'y for 513,515 curved headjoint	27	51-K008	Bb lever (prior to ser. #200001 & having mod.# beginning with SFL-)
1-7	SFLH-513S	Curved headjoint ass'y for 513	28	51-K0067	F# key
3	51-N003	Lip plate for 511,513,515	28	51-K014	F# key (prior to ser.#200001 & having mod.# beginning with SFL-)
3	51-N004	Lip plate for 611,711	29	51-K0146	F key
4	51-N001	Flute head stopper screw	29	51-K0020	F key (prior to ser. # L00001)
5	51-C101	Flute head stopper cork	29	51-K016	F key (prior to ser. #200001 & having mod.# beginning with SFL-)
6	51-N601	Flute head stopper nut	30	51-K0176	E key
7	51-N402	Flute head crown	30	51-K0052	E key (prior to ser. # L00001)
7	51-N401	Flute head crown (prior to ser. # L00001)	30	51-K017	E key (prior to ser. #200001 & having mod.# beginning with SFL-)
3-8	SFLH-511S	Straight headjoint ass'y for 511	31	51-K0134	Joint key
3-8	SFLH-511HS	Straight headjoint ass'y for 511SC	31	51-K0061	Joint key (prior to ser. #K00001 & having mod.# beginning with SFL-)
3-8	SFLH-511YS	Straight headjoint ass'y for 511SC-P	31	51-K0134	Joint key
3-8	SFLH-611S	Straight headjoint ass'y for 611,711	31	51-K0061	Joint key (prior to ser. #K00001 & having mod.# beginning with SFL-)
9	51-D004	Barrel joint for 511,513,515,611	32	51-K0148	D key
9	51-D005	Barrel joint for 711	32	51-K0029	D key (prior to ser. # L00001)
10	51-D0031	Body ass'y w/out keys for 511,513,515, 611	32	51-K019	D key (prior to ser. #200001 & body reference SFL-)
10	51-D0001	Body ass'y w/out keys for 511,513,515, 611 (prior to ser. # L00001)	33	51-D0037	C footjoint ass'y w/out key for 511,513, 515,611 (**)
10	51-D001	Body ass'y w/out keys for 511,513,515, 611 (prior to ser. #200001 & having mod.# beginning with SFL-)	33	51-D0003	C footjoint ass'y w/out key for 511,513, 515,611 (**)
10	51-D0034	Body ass'y w/out keys for 711	33	51-D021	C footjoint ass'y w/out key for 511, 513, 515,611 (prior to ser.# 200001 & having mod.# beginning with SFL-)
10	51-D0010	Body ass'y w/out keys for 711 (prior to ser. # L00001)	33	51-D0039	C footjoint ass'y w/out key for 711
10	51-D011	Body ass'y w/out keys for 711 (prior to ser. #200001 & having mod.# beginning with SFL-)	33	51-D0009	C footjoint ass'y w/out key for 711 (prior to ser. # L00001)
11	51-D409	Body joint ring for 511, 513, 515, 611	33	51-D002	C footjoint ass'y w/out key for 711 (prior to ser.# 200001 & having mod.# beginning with SFL-)
11	51-D403	Body joint ring for 711	34	51-W0006	Key post ass'y
12	51-W0011	Key post ass'y (**)	34	51-W005	Key post ass'y (prior to ser. #200001 & having mod.# beginning with SFL-)
13	51-W0007	Key post ass'y	35	51-K0149	D# key
14	51-W0022	Key post ass'y	35	51-K0014	D# key (prior to ser. # L00001)
15	51-W0001	Key post ass'y	35	51-K020	D# key (prior to ser. #200001 & having mod.# beginning with SFL-)
16	51-K0137	D# trill key	35*	51-C111	D# key bumper
16	51-K0001	D# trill key (prior to ser. # L00001)	36	51-C215	Low C key roller screw
16	51-K001	D# trill key (prior to ser. #200001 & having mod.# beginning with SFL-)	37	51-A102	Low C key roller
17	51-K0138	D trill key	38	51-K0150	Low C# key
17	51-K0025	D trill key (prior to ser. # L00001)	38	51-K0030	Low C# key (prior to ser. # L00001)
17	51-K003	D trill key (prior to ser. #200001 & having mod.# beginning with SFL-)	38	51-K022	Low C# key (prior to ser. #200001 & having mod.# beginning with SFL-)
18	51-K0152	D# trill key lever	39	51-K0046	Low C key
18	51-K0009	D# trill key lever (prior to ser. # L00001)	39	51-K024	Low C key (prior to ser. #200001 & having mod.# beginning with SFL-)
18	51-K002	D# trill key lever (prior to ser. #200001 & having mod.# beginning with SFL-)	41	51-P001	Pad set (thick)
19	51-K0139	C key	41	51-P001A	Pad set (prior to ser. #200001 & having mod.# beginning with SFL-)
19	51-K0041	C key (prior to ser. # L00001)	42	51-A301	Pad metal washer
19	51-K004	C key (prior to ser. #200001 & having mod.# beginning with SFL-)	43	51-C202	Pad screw
20	51-K0057	Bb thumb lever	19-39*	51-C008	Rod screw set (5 pcs. per set)
20	51-K006	Bb thumb lever (prior to ser. #200001 & having mod.# beginning with SFL-)	19-39*	51-C018	Rod screw set (5 pcs. per set)
21	51-K0049	B key	16-32*	51-C014	Shaft set (3 pcs. per set)
21	51-K005	B key (prior to ser. #200001 & having mod.# beginning with SFL-)	16-32*	51-C205	Pivot screw
22	51-K0140	Bb key	16-32*	51-C205A	Pivot screw (prior to ser. #200001 & having mod.# beginning with SFL-)
22	51-K0065	Bb key (prior to ser. # L00001)	22-31*	51-C201	Adjusting screw
22	51-K007	Bb key (prior to ser. #200001 & having mod.# beginning with SFL-)	16-39*	51-S001	Needle spring set (13 pcs. per set)
23	51-K0141	A key	16-31*	51-A5002	Knock pin
23	51-K0018	A key (prior to ser. # L00001)	16-31*	51-A502	Knock pin (prior to ser. #H00001)
23	51-K009	A key (prior to ser. #200001 & having mod.# beginning with SFL-)	20-21*	51-S101	Flat spring
25	51-K0174	G key	20-21*	51-C204	Flat spring screw
25	51-K0003	G key (prior to ser. # L00001)	12",18"	51-C109	Trill key bumper
25	51-K011	G key (prior to ser. #200001 & having mod.# beginning with SFL-)	*	51-A0001	Felt set for 511,611
26	51-K0144	G# key	*	51-A001	Felt set for 711
26	51-K0051	G# key (prior to ser. # L00001)			
26	51-K013	G# key (prior to ser. #200001 & having mod.# beginning with SFL-)			

C Flute (2)

JFL-511RO, RBO, JFL-611RO, RBO, JFL-711RO, RBO

Dia. Ref.	Part No	Description
44	51-A401	Pad cap sleeve for open hole
19-39*	51-C008	Rod screw set (5 pcs. per set) for RO
19-39*	51-C018	Rod screw set (5 pcs. per set) for RBO
16-32*	51-C014	Shaft set (3 pcs. per set)
16-32*	51-C205	Pivot screw
16-32*	51-C205A	Pivot screw (prior to ser. #200001 & having mod.# beginning with SFL-)
22-31*	51-C201	Adjusting screw
16-39*	51-S001	Needle spring set
16-31*	51-A5002	Knock pin
16-31*	51-A502	Knock pin (prior to ser. #H00001)
20-21*	51-S101	Flat spring
20-21*	51-C204	Flat spring screw
16-17*	51-C109	Trill key bumper
17*.18*.35*	51-C001	Cork for trill key & D# key
35*	51-C111	D# key bumper
*	51-A0001	Felt set for 511, 611
*	51-A001	Felt set for 711