

WOODWIND INSTRUMENTS
Parts Reference Guide

• ***C Flute***

JFL-511E, RE, RBE

JFL-513E, JFL-515E

JFL-611E, RE, RBE

JFL-711E, RE, RBE

• C Flute (1)

JFL-511E, JFL-513E, JFL-515E, JFL-611E, JFL-711E

| Dia. Ref. | Part No | Description | Dia. Ref. | Part No | Description |
|-----------|------------|---|-----------|----------|---|
| 1 | 51-U001 | Bow headjoint ass'y for 513E,515E curved headjoint | 23 | 51-K009 | A key (prior to ser. #200001 & having mod. # beginning with SFL-) |
| 2 | 51-N015 | Straight headjoint ass'y for 513E,515E curved headjoint | 24 | 51-K0142 | Duplicate G# key |
| 1-7 | SFLH-513S | Curved headjoint ass'y for 513E | 24 | 51-K0011 | Duplicate G# key (prior to ser. # L00001) |
| 3 | 51-N003 | Lip plate for 511E,513E,515E | 25 | 51-K0143 | G key (**) |
| 3 | 51-N004 | Lip plate for 611E,711E | 25 | 51-K0019 | G key (**) (prior to ser. # L00001) |
| 4 | 51-N001 | Flute head stopper screw | 26 | 51-K0144 | G# key |
| 5 | 51-C101 | Flute head stopper cork | 26 | 51-K0051 | G# key (prior to ser. # L00001) |
| 6 | 51-N601 | Flute head stopper nut | 26 | 51-K013 | G# key (prior to ser. #200001 & having mod.# beginning with SFL-) |
| 7 | 51-N402 | Flute head crown | 27 | 51-K0050 | Bb lever |
| 7 | 51-N401 | Flute head crown (prior to ser. # L00001) | 27 | 51-K008 | Bb lever (prior to ser. #200001 & having mod.# beginning with SFL-) |
| 3-8 | SFLH-511S | Straight headjoint ass'y for 511E | 28 | 51-K0145 | F# key |
| 3-8 | SFLH-511HS | Straight headjoint ass'y for 511SC | 28 | 51-K0004 | F# key (prior to ser. # L00001) |
| 3-8 | SFLH-511YS | Straight headjoint ass'y for 511SC-P | 28 | 51-K015 | F# key (prior to ser. #200001 & having mod.# beginning with SFL-) |
| 3-8 | SFLH-611S | Straight headjoint ass'y for 611E,711E | 28 | 51-K015 | F# key (prior to ser. #200001 & having mod.# beginning with SFL-) |
| 9 | 51-D004 | Barrel joint for 511E,513E,515E,611E | 29 | 51-K0146 | F key |
| 9 | 51-D005 | Barrel joint for 711E | 29 | 51-K0020 | F key (prior to ser. # L00001) |
| 10 | 51-D0031 | Body ass'y w/out keys for 511E,513E, 515E,611E | 29 | 51-K016 | F key (prior to ser. #200001 & having mod. # beginning with SFL-) |
| 10 | 51-D0001 | Body ass'y w/out keys for 511E,513E, 515E,611E (prior to ser. # L00001) | 30 | 51-K0147 | E key |
| 10 | 51-D001 | Body ass'y w/out keys for 511E,513E, 515E,611E (prior to ser.#200001 & having mod. # beginning with SFL-) | 30 | 51-K0013 | E key (prior to ser. # L00001) |
| 10 | 51-D0034 | Body ass'y w/out keys for 711E | 31 | 51-K0134 | Joint key |
| 10 | 51-D0010 | Body ass'y w/out keys for 711E (prior to ser. # L00001) | 31 | 51-K0061 | Joint key (prior to ser. #K00001 & having mod. # beginning with SFL-) |
| 10 | 51-D011 | Body ass'y w/out keys for 711E (prior to ser. #200001 & having mod. # beginning with SFL-) | 32 | 51-K0148 | D key |
| 11 | 51-D403 | Body joint ring for 711E | 32 | 51-K0029 | D key (prior to ser. # L00001) |
| 11 | 51-D409 | Body joint ring for 511E, 513E, 515E, 611E | 32 | 51-K019 | D key (prior to ser. #200001 & having mod.# beginning with SFL-) |
| 12 | 51-W0011 | Key post ass'y (**) | 33 | 51-D0037 | C footjoint ass'y w/out key for 511E,513E, 515E,611E (**) |
| 13 | 51-W0007 | Key post ass'y | 33 | 51-D0003 | C footjoint ass'y w/out key for 511E,513E, 515E,611E (**) |
| 14 | 51-W0022 | Key post ass'y | 33 | 51-D021 | C footjoint ass'y w/out key for 511E,513E, 515E,611E (prior to ser. #200001 & having mod. # beginning w/SFL-) |
| 15 | 51-W0001 | Key post ass'y | 33 | 51-D0039 | C footjoint ass'y w/out key for 711E |
| 16 | 51-K0137 | D# trill key | 33 | 51-D0009 | C footjoint ass'y w/out key for 711E (prior to ser. # L00001) |
| 16 | 51-K0001 | D# trill key (prior to ser. # L00001) | 33 | 51-D002 | C footjoint ass'y w/out key for 711E (prior to ser. #200001 & having mod. # beginning with SFL-) |
| 16 | 51-K001 | D# trill key (prior to ser. #200001 & having mod. # beginning with SFL-) | 33 | 51-D0003 | C footjoint ass'y w/out key for 511RE, 611RE (**) |
| 17 | 51-K0138 | D trill key | 33 | 51-D021 | C footjoint ass'y w/out key for 511RE, 611RE (prior to ser. #200001 & having mod. # beginning with SFL-) |
| 17 | 51-K0025 | D trill key (prior to ser. # L00001) | 33 | 51-D0038 | Low B footjoint ass'y w/out key for 511RBE, 611RBE |
| 17 | 51-K003 | D trill key (prior to ser. #200001 & having mod. with SFL-) | 33 | 51-D0006 | Low B footjoint ass'y w/out key for 511RBE, 611RBE (prior to ser. # L00001) |
| 18 | 51-K0152 | D# trill key lever | 33 | 51-D0039 | C footjoint ass'y w/out key for 711RE |
| 18 | 51-K0009 | D# trill key lever (prior to ser. # L00001) | 33 | 51-D0009 | C footjoint ass'y w/out key for 711RE (prior to ser. # L00001) |
| 18 | 51-K002 | D# trill key lever (prior to ser. #200001 & having mod.# beginning with SFL-) | 33 | 51-D002 | C footjoint ass'y w/out key for 711RE (prior to ser.#200001 & having mod. # beginning with SFL-) |
| 19 | 51-K0139 | C key | 33 | 51-D0040 | Low B footjoint ass'y w/out key for 711RBE |
| 19 | 51-K0041 | C key (prior to ser. # L00001) | 33 | 51-D0012 | Low B footjoint ass'y w/out key for 711RBE (prior to ser. # L00001) |
| 19 | 51-K004 | C key (prior to ser. #200001 & having mod. # beginning with SFL-) | 34 | 51-W0006 | Key post ass'y (**) (for RE) |
| 20 | 51-K0057 | Bb thumb lever | 34 | 51-W0012 | Key post ass'y (for RBE) |
| 20 | 51-K006 | Bb thumb lever (prior to ser. #200001 & having mod.# beginning with SFL-) | 35 | 51-K0149 | D# key (for RE) |
| 21 | 51-K0049 | B key | 35 | 51-K0014 | D# key (prior to ser. # L00001) (for RE) |
| 21 | 51-K005 | B key (prior to ser. #200001 & having mod. # beginning with SFL-) | 35 | 51-K020 | D# key (prior to ser. #200001 & having mod. # beginning with SFL-) (for RE) |
| 22 | 51-K0140 | Bb key | 35 | 51-K0165 | D# key (for RBE) |
| 22 | 51-K0065 | Bb key (prior to ser. # L00001) | 35 | 51-K0022 | D# key (prior to ser. # L00001) (for RBE) |
| 22 | 51-K007 | Bb key (prior to ser. #200001 & having mod. # beginning with SFL-) | 35* | 51-C111 | D# key bumper |
| 23 | 51-K0141 | A key | 36 | 51-C215 | Low C key roller screw (for RE) |
| 23 | 51-K0018 | A key (prior to ser. # L00001) | 36 | 51-C216 | Low B key roller screw (for RBE) |
| | | | 37 | 51-A102 | Low C key roller |
| | | | 38 | 51-K0150 | Low C# key (for RE) |
| | | | 38 | 51-K0030 | Low C# key (prior to ser. # L00001)(for RE) |
| | | | 38 | 51-K022 | Low C# key (prior to ser. #200001 & having mod.# beginning with SFL-) (for RE) |
| | | | 38 | 51-K0166 | Low C# key (for RBE) |
| | | | 38 | 51-K0038 | Low C# key (prior to ser. # L00001) (for RBE) |
| | | | 39 | 51-K0046 | Low C key (**) (for RE) |
| | | | 39 | 51-K024 | Low C key (prior to ser. #200001 & having mod.# beginning with SFL-) (for RE) |
| | | | 39 | 51-K0167 | Low C key (for RBE) |
| | | | 39 | 51-K0054 | Low C key (for RBE) (prior to ser. # L00001) |
| | | | 40 | 51-K0168 | Low B Gizmo key (improved design fits all #s) |
| | | | 40 | 51-K0070 | Low B Gizmo key (improved design fits all #s) (prior to ser. # L00001) |
| | | | 41 | 51-P002 | Pad set (thick) for RE |
| | | | | | |
| | | | 42 | 51-A301 | Pad metal washer for closed hole |
| | | | 43 | 51-C202 | Pad screw |
| | | | 16-17* | 51-C109 | Trill key bumper |
| | | | 16-31* | 51-A5002 | Knock pin |

• C Flute (1)

JFL-511RE, RBE, JFL-611RE, RBE, JFL-711RE, RBE

| Dia. Ref. | Part No | Description | Dia. Ref. | Part No | Description |
|-----------|------------|--|-----------|----------|--|
| 3 | 51-N003 | Lip plate for 511RE | 28 | 51-K0004 | F# key (prior to ser. # L00001) |
| 3 | 51-N004 | Lip plate for 611RE,711RE | 28 | 51-K015 | F# key (prior to ser. #200001 & having mod. #beginning with SFL-) |
| 4 | 51-N001 | Flute head stopper screw | 29 | 51-K0162 | F key |
| 5 | 51-C101 | Flute head stopper cork | 29 | 51-K0028 | F key (prior to ser. # L00001) |
| 6 | 51-N601 | Flute head stopper nut | 29 | 51-K037 | F key (prior to ser. #200001 & having mod. beginning with SFL-) |
| 7 | 51-N402 | Flute head crown | 30 | 51-K0156 | E key |
| 7 | 51-N401 | Flute head crown (prior to ser. # L00001) | 30 | 51-K0021 | E key (prior to ser. # L00001) |
| 3-8 | SFLH-511S | Straight headjoint ass'y for 511RE | 31 | 51-K0134 | Joint key |
| 3-8 | SFLH-511HS | Straight headjoint ass'y for 511SC | 31 | 51-K0061 | Joint key (prior to ser. #K00001 & having mod. # beginning with SFL-) |
| 3-8 | SFLH-511YS | Straight headjoint ass'y for 511SC-P | 32 | 51-K0164 | D key |
| 3-8 | SFLH-611S | Straight headjoint ass'y for 611RE,711RE | 32 | 51-K0037 | D key (prior to ser. # L00001) |
| 9 | 51-D004 | Barrel joint for 511RE,611RE | 32 | 51-K040 | D key (prior to ser. #200001 & having mod. beginning with SFL-) |
| 9 | 51-D005 | Barrel joint for 711RE | 33 | 51-D0037 | C footjoint ass'y w/out key for 511RE, 611RE (**) |
| 10 | 51-D0036 | Body ass'y w/out key for 711RE | 33 | 51-D0003 | C footjoint ass'y w/out key for 511RE, 611RE (**) |
| 10 | 51-D0016 | Body ass'y w/out key for 711RE (prior to ser. # L00001) | 33 | 51-D0021 | C footjoint ass'y w/out key for 511RE, 611RE (prior to ser. #200001 & having mod. # beginning with SFL-) |
| 11 | 51-D403 | Body joint ring for 711RE | 33 | 51-D0038 | Low B footjoint ass'y w/out key for 511RBE, 611RBE |
| 11 | 51-D409 | Body joint ring for 511RE,611RE | 33 | 51-D0006 | Low B footjoint ass'y w/out key for 511RBE, 611RBE (prior to ser. # L00001) |
| 12 | 51-W0017 | Key post ass'y | 33 | 51-D0039 | C footjoint ass'y w/out key for 711RE |
| 13 | 51-W0013 | Key post ass'y | 33 | 51-D0009 | C footjoint ass'y w/out key for 711RE (prior to ser. # L00001) |
| 14 | 51-W0022 | Key post ass'y | 33 | 51-D002 | C footjoint ass'y w/out key for 711RE (prior to ser.#200001 & having mod. # beginning with SFL-) |
| 15 | 51-W0001 | Key post ass'y | 33 | 51-D0040 | Low B footjoint ass'y w/out key for 711RBE |
| 16 | 51-K0137 | D# trill key | 33 | 51-D0012 | Low B footjoint ass'y w/out key for 711RBE (prior to ser. # L00001) |
| 16 | 51-K0001 | D# trill key (prior to ser. # L00001) | 34 | 51-W0006 | Key post ass'y (**) (for RE) |
| 16 | 51-K001 | D# trill key (prior to ser. #200001 & having mod. #beginning with SFL-) | 34 | 51-W0012 | Key post ass'y (for RBE) |
| 17 | 51-K0154 | D trill key | 35 | 51-K0149 | D# key (for RE) |
| 17 | 51-K0033 | D trill key (prior to ser. # L00001) | 35 | 51-K0014 | D# key (prior to ser. # L00001) (for RE) |
| 17 | 51-K042 | D trill key (prior to ser. #200001 & having mod.# beginning with SFL-) | 35 | 51-K020 | D# key (prior to ser. #200001 & having mod. # beginning with SFL-) (for RE) |
| 18 | 51-K0153 | D# trill key lever | 35 | 51-K0165 | D# key (for RBE) |
| 18 | 51-K0017 | D# trill key lever (prior to ser. # L00001) | 35 | 51-K0022 | D# key (prior to ser. # L00001) (for RBE) |
| 18 | 51-K041 | D# trill key lever (prior to ser. #200001 & having mod. # beginning with SFL-) | 35* | 51-C111 | D# key bumper |
| 19 | 51-K0139 | C key | 36 | 51-C215 | Low C key roller screw (for RE) |
| 19 | 51-K0041 | C key (prior to ser. # L00001) | 36 | 51-C216 | Low B key roller screw (for RBE) |
| 19 | 51-K004 | C key (prior to ser. #200001 & having mod.# beginning with SFL-) | 37 | 51-A102 | Low C key roller |
| 20 | 51-K0057 | Bb thumb lever | 38 | 51-K0150 | Low C# key (for RE) |
| 20 | 51-K006 | Bb thumb lever (prior to ser. #200001 & having mod.# beginning with SFL-) | 38 | 51-K0030 | Low C# key (prior to ser. # L00001)(for RE) |
| 21 | 51-K0049 | B key | 38 | 51-K022 | Low C# key (prior to ser. #200001 & having mod.# beginning with SFL-) (for RE) |
| 21 | 51-K005 | B key (prior to ser. #200001 & having mod. # beginning with SFL-) | 38 | 51-K0166 | Low C# key (for RBE) |
| 22 | 51-K0140 | Bb key | 38 | 51-K0038 | Low C# key (prior to ser. # L00001) (for RBE) |
| 22 | 51-K0065 | Bb key (**) (prior to ser. # L00001) | 38 | 51-K0046 | Low C key (**) (for RE) |
| 22 | 51-K043 | Bb key (prior to ser. #200001 & having mod. Beginning with SFL-) | 39 | 51-K024 | Low C key (prior to ser. #200001 & having mod.# beginning with SFL-) (for RE) |
| 23 | 51-K0159 | A key | 39 | 51-K0167 | Low C key (for RBE) |
| 23 | 51-K0026 | A key (**) (prior to ser. # L00001) | 39 | 51-K0054 | Low C key (for RBE) (prior to ser. # L00001) |
| 23 | 51-K033 | A key (prior to ser. #200001 & having mod. # beginning with SFL-) | 40 | 51-K0168 | Low B Gizmo key (improved design fits all #s) |
| 24 | 51-K0155 | Duplicate G# key | 40 | 51-K0070 | Low B Gizmo key (improved design fits all #s) (prior to ser. # L00001) |
| 24 | 51-K0027 | Duplicate G# key (prior to ser. # L00001) | 41 | 51-P002 | Pad set (thick) for RE |
| 25 | 51-K0143 | G key (**) | | | |
| 25 | 51-K0019 | G key (prior to ser. # L00001) | | | |
| 26 | 51-K0144 | G# key | | | |
| 26 | 51-K0051 | G# key (prior to ser. # L00001) | | | |
| 26 | 51-K036 | G# key (prior to ser. #200001 & having mod. # beginning with SFL-) | | | |
| 27 | 51-K0050 | Bb lever | | | |
| 27 | 51-K008 | Bb lever (prior to ser. #200001 & having mod. # beginning with SFL-) | | | |
| 28 | 51-K0145 | F# key | | | |

• C Flute (2)

JFL-511RE, RBE, JFL-611RE, RBE, JFL-711RE, RBE

| Dia. Ref. | Part No | Description |
|-----------|----------|---|
| 41 | 51-P002A | Pad set (prior to ser. #200001 & having mod. # beginning with SFL-) |
| 41 | 51-P005 | Pad set (thick) for RBE |
| 42 | 51-A301 | Pad metal washer for closed hole |
| 43 | 51-C202 | Pad screw for closed hole |
| 44 | 51-A401 | Pad cap sleeve for open hole |
| 16-17* | 51-C109 | Trill key bumper |
| 16-31* | 51-A5002 | Knock pin |
| 16-31* | 51-A502 | Knock pin (prior to ser. #H00001) |
| 16-32* | 51-C014 | Shaft set (3 pcs per set) |
| 16-32* | 51-C205 | Pivot screw |
| 16-32* | 51-C205A | Pivot screw (prior to ser. #200001 & having mod. # beginning with SFL-) |
| 16-39* | 51-S001 | Needle spring set |
| 19-39* | 51-C008 | Rod screw set (5 pcs. per set) |
| 19-39* | 51-C018 | Rod screw set (5 pcs. per set) |
| 20-21* | 51-S101 | Flat spring |
| 20-21* | 51-C204 | Flat spring screw |
| 21-39* | 5A-P004 | Pad plastic washer (prior to ser. #200001 & having mod. #beginning with SFL-) |
| 22-31* | 51-C201 | Adjusting screw |
| * | 51-A0001 | Felt set for 511,611 |
| * | 51-A0001 | Felt set for 711 |

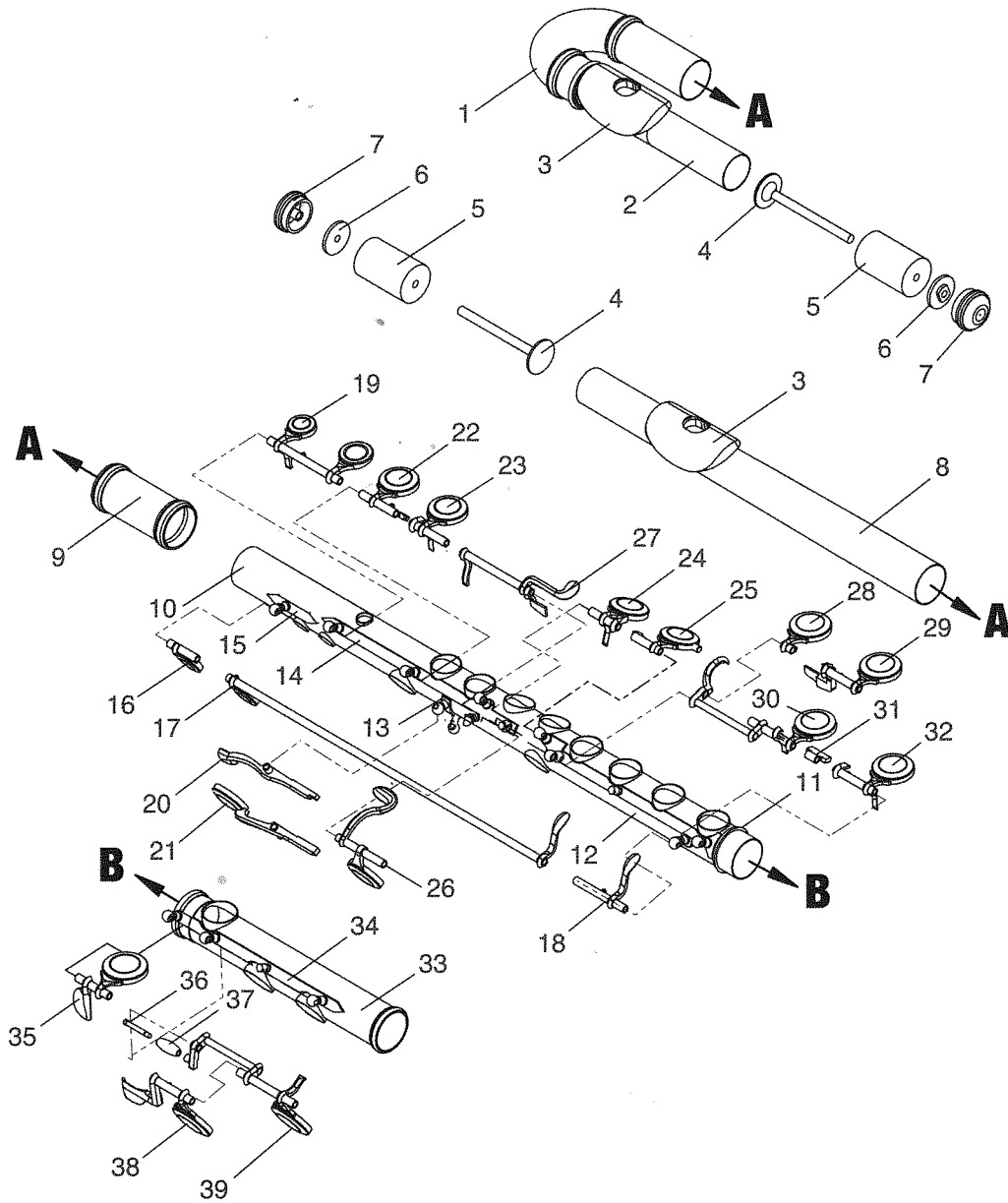
• C Flute (2)

JFL-511E, JFL-513E, JFL-515E, JFL-611E, JFL-711E

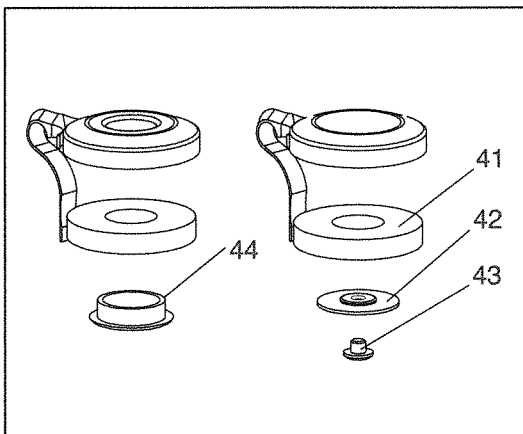
| Dia. Ref. | Part No | Description |
|-----------|----------|--|
| 16-31* | 51-A502 | Knock pin (prior to ser. #H00001) |
| 16-32* | 51-C014 | Shaft set (3 pcs. per set) |
| 16-32* | 51-C205 | Pivot screw |
| 16-32* | 51-C205A | Pivot screw (prior to ser. #200001 & having mod.# beginning with SFL-) |
| 16-39* | 51-S001 | Needle spring set (13 pcs. per set) |
| 19-39* | 51-C008 | Rod screw set (5 pcs. per set) |
| 20-21* | 51-S101 | Flat spring |
| 20-21* | 51-C204 | Flat spring screw |
| 21-39* | 5A-P004 | Pad plastic washer set (prior to ser. #200001 & having mod.# beginning with SFL-) |
| 22-31* | 51-C201 | Adjusting screw |
| * | 51-A0001 | Felt set for 511, 611 |
| * | 51-A001 | Felt set for 711 |

• *C Flute*

*JFL-511E, RE, RBE, JFL-513E, JFL-515E,
JFL-611E, RE, RBE, JFL-711E, RE, RBE*



Close & Open Hole Pads



B Footjoint

