

WOODWIND INSTRUMENTS
Parts Reference Guide

• ***C Flute***

JFL-507

JFL-511, RO, RBO

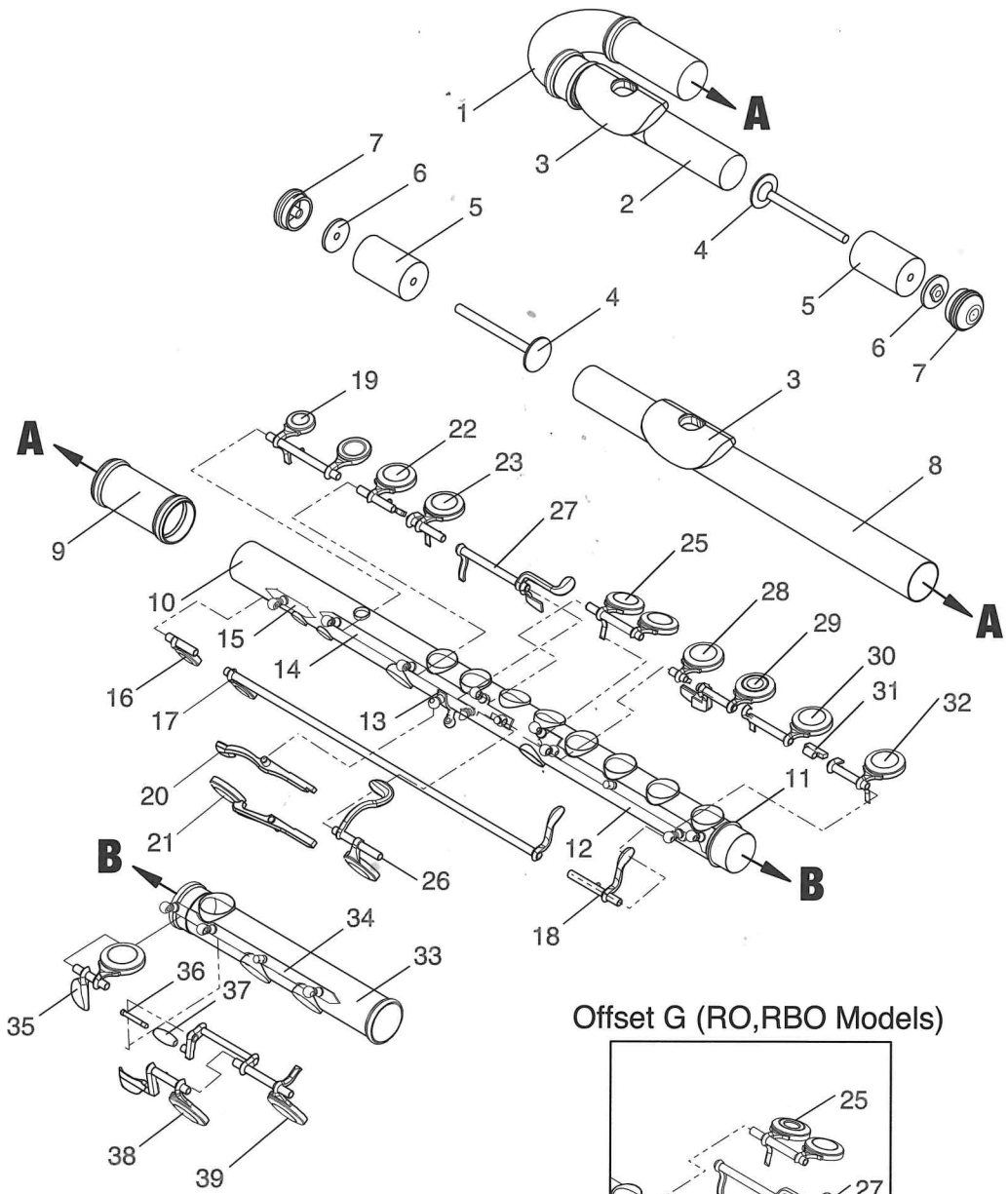
JFL-513, JFL-515

JFL-611, RO, RBO

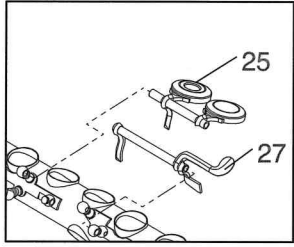
JFL-711, RO, RBO

06

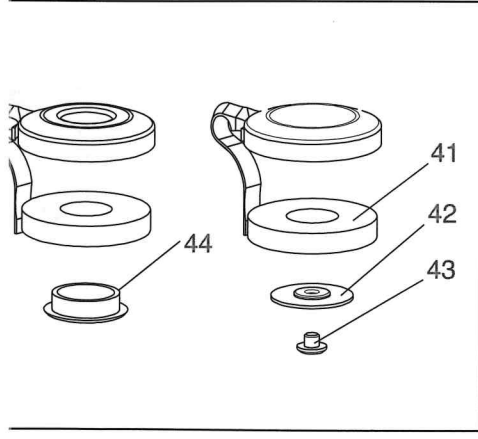
C Flute
FL-507, JFL-511, RO, RBO, JFL-513, JFL-515,
FL-611, RO, RBO, JFL-711, RO, RBO



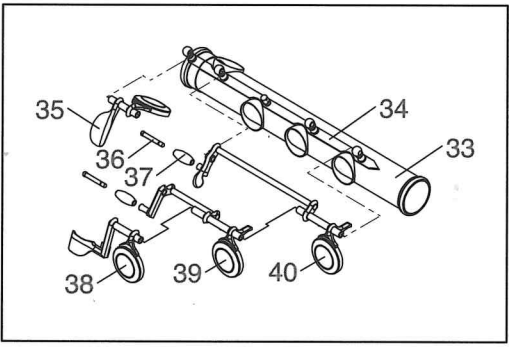
Offset G (RO, RBO Models)



Use & Open Hole Pads



B Footjoint



• C Flute

JFL-511, JFL-513, JFL-515, JFL-611, JFL-711

| Dia. Ref. | Part No | Description | Dia. Ref. | Part No | Description |
|-----------|------------|---|-----------|----------|--|
| 1 | 51-U001 | Bow headjoint ass'y for 513,515 curved headjoint | 27 | 51-K0050 | Bb lever |
| 2 | 51-N015 | Straight headjoint ass'y for 513,515 curved headjoint | 27 | 51-K008 | Bb lever (prior to ser. #200001 & having mod.# beginning with SFL-) |
| 1-7 | SFLH-513S | Curved headjoint ass'y for 513 | 28 | 51-K0067 | F# key |
| 3 | 51-N003 | Lip plate for 511,513,515 | 28 | 51-K014 | F# key (prior to ser.#200001 & having mod.# beginning with SFL-) |
| 3 | 51-N004 | Lip plate for 611,711 | 29 | 51-K0146 | F key |
| 4 | 51-N001 | Flute head stopper screw | 29 | 51-K0020 | F key (prior to ser. # L00001) |
| 5 | 51-C101 | Flute head stopper cork | 29 | 51-K016 | F key (prior to ser. #200001 & having mod.# beginning with SFL-) |
| 6 | 51-N601 | Flute head stopper nut | 30 | 51-K0176 | E key |
| 7 | 51-N402 | Flute head crown | 30 | 51-K0052 | E key (prior to ser. # L00001) |
| 7 | 51-N401 | Flute head crown (prior to ser. # L00001) | 30 | 51-K017 | E key (prior to ser. #200001 & having mod.# beginning with SFL-) |
| 3-8 | SFLH-511S | Straight headjoint ass'y for 511 | 31 | 51-K0134 | Joint key |
| 3-8 | SFLH-511HS | Straight headjoint ass'y for 511SC | 31 | 51-K0061 | Joint key (prior to ser. #K00001 & having mod.# beginning with SFL-) |
| 3-8 | SFLH-511YS | Straight headjoint ass'y for 511SC-P | 31 | 51-K0134 | Joint key |
| 3-8 | SFLH-611S | Straight headjoint ass'y for 611,711 | 31 | 51-K0061 | Joint key (prior to ser. #K00001 & having mod.# beginning with SFL-) |
| 9 | 51-D004 | Barrel joint for 511,513,515,611 | 32 | 51-K0148 | D key |
| 9 | 51-D005 | Barrel joint for 711 | 32 | 51-K0029 | D key (prior to ser. # L00001) |
| 10 | 51-D0031 | Body ass'y w/out keys for 511,513,515, 611 | 32 | 51-K019 | D key (prior to ser. #200001 & body reference SFL-) |
| 10 | 51-D0001 | Body ass'y w/out keys for 511,513,515, 611 (prior to ser. # L00001) | 33 | 51-D0037 | C footjoint ass'y w/out key for 511,513, 515,611 (**) |
| 10 | 51-D001 | Body ass'y w/out keys for 511,513,515, 611 (prior to ser. #200001 & having mod.# beginning with SFL-) | 33 | 51-D0003 | C footjoint ass'y w/out key for 511,513, 515,611 (**) |
| 10 | 51-D0034 | Body ass'y w/out keys for 711 | 33 | 51-D021 | C footjoint ass'y w/out key for 511, 513, 515,611 (prior to ser.# 200001 & having mod.# beginning with SFL-) |
| 10 | 51-D0010 | Body ass'y w/out keys for 711 (prior to ser. # L00001) | 33 | 51-D0039 | C footjoint ass'y w/out key for 711 |
| 10 | 51-D011 | Body ass'y w/out keys for 711 (prior to ser. #200001 & having mod.# beginning with SFL-) | 33 | 51-D0009 | C footjoint ass'y w/out key for 711 (prior to ser. # L00001) |
| 11 | 51-D409 | Body joint ring for 511, 513, 515, 611 | 33 | 51-D002 | C footjoint ass'y w/out key for 711 (prior to ser.# 200001 & having mod.# beginning with SFL-) |
| 11 | 51-D403 | Body joint ring for 711 | 34 | 51-W0006 | Key post ass'y |
| 12 | 51-W0011 | Key post ass'y (**) | 34 | 51-W0005 | Key post ass'y (prior to ser. #200001 & having mod.# beginning with SFL-) |
| 13 | 51-W0007 | Key post ass'y | 35 | 51-K0149 | D# key |
| 14 | 51-W0022 | Key post ass'y | 35 | 51-K0014 | D# key (prior to ser. # L00001) |
| 15 | 51-W0001 | Key post ass'y | 35 | 51-K020 | D# key (prior to ser. #200001 & having mod.# beginning with SFL-) |
| 16 | 51-K0137 | D# trill key | 35* | 51-C111 | D# key bumper |
| 16 | 51-K0001 | D# trill key (prior to ser. # L00001) | 36 | 51-C215 | Low C key roller screw |
| 16 | 51-K001 | D# trill key (peior to ser. #200001 & having mod.# beginning with SFL-) | 37 | 51-A102 | Low C key roller |
| 17 | 51-K0138 | D trill key | 38 | 51-K0150 | Low C# key |
| 17 | 51-K0025 | D trill key (prior to ser. # L00001) | 38 | 51-K0030 | Low C# key (prior to ser. # L00001) |
| 17 | 51-K003 | D trill key (prior to ser. #200001 & having mod.# beginning with SFL-) | 38 | 51-K022 | Low C# key (prior to ser. #200001 & having mod.# beginning with SFL-) |
| 18 | 51-K0152 | D# trill key lever | 39 | 51-K0046 | Low C key |
| 18 | 51-K0009 | D# trill key lever (prior to ser. # L00001) | 39 | 51-K024 | Low C key (prior to ser. #200001 & having mod.# beginning with SFL-) |
| 18 | 51-K002 | D# trill key lever (prior to ser. #200001 & having mod.# beginning with SFL-) | 41 | 51-P001 | Pad set (thick) |
| 19 | 51-K0139 | C key | 41 | 51-P001A | Pad set (prior to ser. #200001 & having mod.# beginning with SFL-) |
| 19 | 51-K0041 | C key (prior to ser. # L00001) | 42 | 51-A301 | Pad metal washer |
| 19 | 51-K004 | C key (prior to ser. #200001 & having mod.# beginning with SFL-) | 43 | 51-C202 | Pad screw |
| 20 | 51-K0057 | Bb thumb lever | 19-39* | 51-C008 | Rod screw set (5 pcs. per set) |
| 20 | 51-K006 | Bb thumb lever (prior to ser. #200001 & having mod.# beginning with SFL-) | 19-39* | 51-C018 | Rod screw set (5 pcs. per set) |
| 21 | 51-K0049 | B key | 16-32* | 51-C014 | Shaft set (3 pcs. per set) |
| 21 | 51-K005 | B key (prior to ser. #200001 & having mod.# beginning with SFL-) | 16-32* | 51-C205 | Pivot screw |
| 22 | 51-K0140 | Bb key | 16-32* | 51-C205A | Pivot screw (prior to ser. #200001 & having mod.# beginning with SFL-) |
| 22 | 51-K0065 | Bb key (prior to ser. # L00001) | 22-31* | 51-C201 | Adjusting screw |
| 22 | 51-K007 | Bb key (prior to ser. #200001 & having mod.# beginning with SFL-) | 16-39* | 51-S001 | Needle spring set (13 pcs. per set) |
| 23 | 51-K0141 | A key | 16-31* | 51-A5002 | Knock pin |
| 23 | 51-K0018 | A key (prior to ser. # L00001) | 16-31* | 51-A502 | Knock pin (prior to ser. #H00001) |
| 23 | 51-K009 | A key (prior to ser. #200001 & having mod.# beginning with SFL-) | 20-21* | 51-S101 | Flat spring |
| 25 | 51-K0174 | G key | 20-21* | 51-C204 | Flat spring screw |
| 25 | 51-K0003 | G key (prior to ser. # L00001) | 12*,18* | 51-C109 | Trill key bumper |
| 25 | 51-K011 | G key (prior to ser. #200001 & having mod.# beginning with SFL-) | * | 51-A0001 | Felt set for 511,611 |
| 26 | 51-K0144 | G# key | * | 51-A001 | Felt set for 711 |
| 26 | 51-K0051 | G# key (prior to ser. # L00001) | | | |
| 26 | 51-K013 | G# key (prior to ser. #200001 & having mod.# beginning with SFL-) | | | |